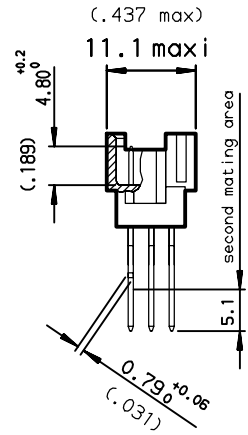
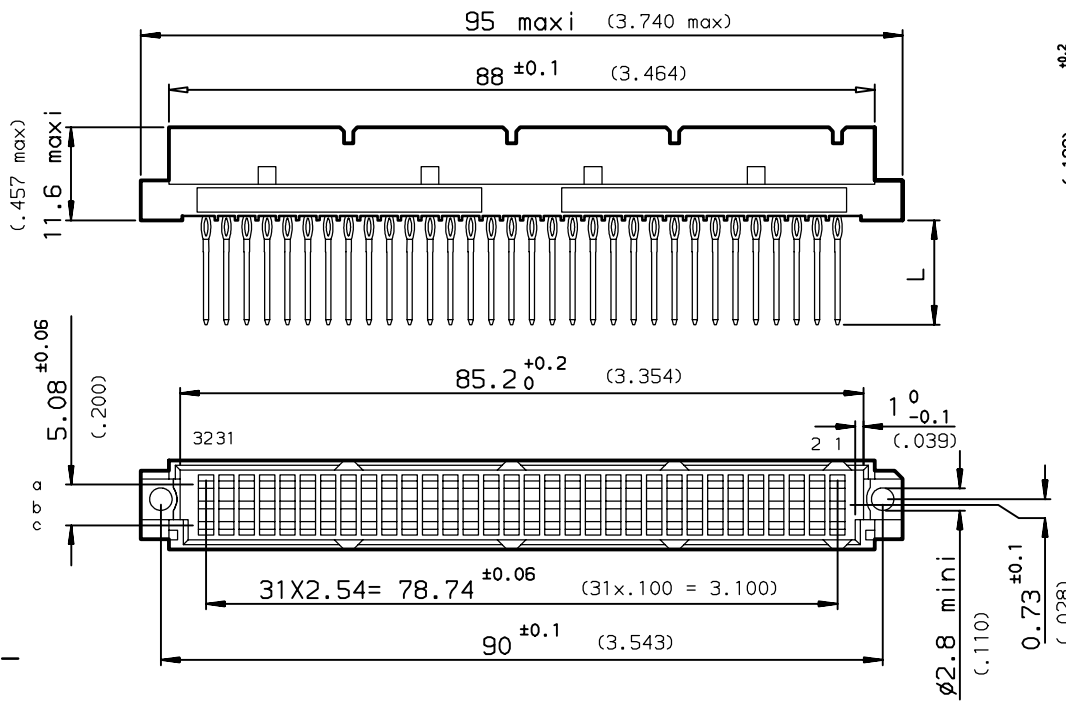
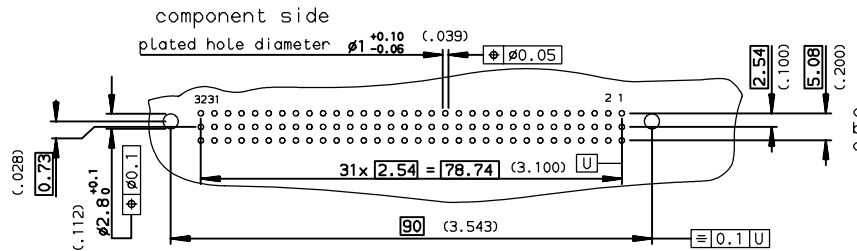


DIMENSIONS mm (inches)



PCB DRILLING



PART NUMBER	8609			79		7		5	
PIN OUT									
rows a-b-c				3				96	
rows a-c				4				64	
NUMBER OF CONTACTS									
TERMINATION									
L = 13.25 ±0.25 (.521)								rear plug up	96
L = 17.25 ±0.25 (.679)								rear plug up + 1 wrap	97
L = 20.00 ±0.25 (.787)								rear plug up + 2 wraps	98
PERFORMANCE CLASS									
DIN 41612 class 3									4
DIN 41612 class 2									5
DIN 41612 class 1									6
TERMINATION TYPE									
TIN LEAD									000
LEAD FREE									LF

GENERAL CHARACTERISTICS AND ROHS INFORMATIONS:
 SEE DRAWING C-8609-0000C

European Views

www.fciconnect.com		surface ISO 1302	<input checked="" type="checkbox"/>	tolerance std ISO 406 ISO 1101	projection mm	mm	
TOLERANCES UNLESS OTHERWISE SPECIFIED				<input checked="" type="checkbox"/> ANGULAR <input type="checkbox"/> LINEAR		size A3	Scale 1.5
Dr	ROUILLARD	1997/10/31		0.X	±0.1	ECN L506-0095	
Eng	TARON	1997/10/31		0.XX	±0.1	Spec ref -	
Chr	LEGARE	1997/10/31		0.XX' ±2'	±0.1		
Appr	LEGARE	1997/10/31		Product family		DIN 8609	
FCI		STRAIGHT MALE - STYLE HE 11			title	C-8609-0663	
		PRESS FIT REAR PLUG UP			dwg no	D	
		catalog no			CUSTOMER		sheet 1 of 1

rev	ecn no	dr	date
B	-	ATC	1998/12/09
C	L505-004	JTA	2005/02/26
D	L506-0095	LGO	2006/06/22
-	-	-	-
-	-	-	-
-	-	-	-